

## Hardware Included

### Kit include:

- Designer Latch
- Designer Handle
- Button w/ spindle
- 1 - Striker Plate
- 3 – Shims
- 3 - M3.5 x 19mm screws
- 2 - M4.0 x 37mm screws

## INSTALLATION

### 1) Preparation

#### Tools required:

Power drill with an 1/8" drill bit & 5/16" drill bit  
 No. 2 Phillips screwdriver

### 2) Install latch and handle (for Deluxe Kits only)

#### 2.1) Mark latch and handle holes;

Using the template found after 4.4 of the instructions (Fig. 2), place template on inside of the closed door. Mark the centers of all three holes. Drill the three 5/16" holes straight through the face of the door. Standard handle position is 36-42 inches from the bottom of the door.

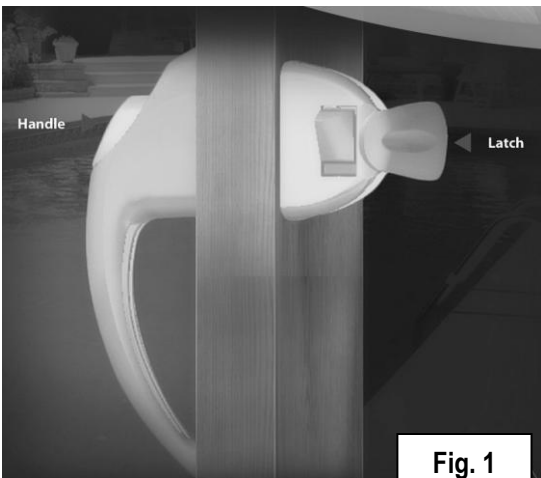


Fig. 1

#### 2.2) Assemble Outside Handle;

Assemble outside handle with push button, spindle and spring as shown per Fig. 1.1 and position in drilled holes on outside of door. With thumb button not depressed, spindle should project beyond door between 3/16" (4.8mm) and 5/16" (7.93mm). Cut spindle if too long. (Fig. 1.1)

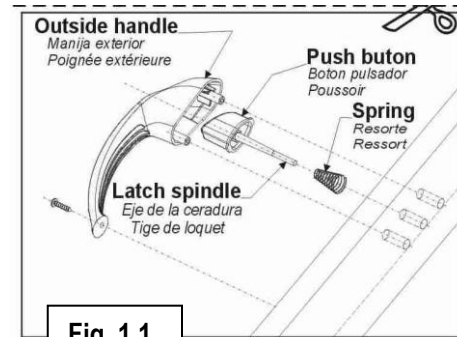


Fig. 1.1

#### 2.3) Attach Inside Latch;

Depress push button to extend spindle.

Insert extended spindle into slot on inside latch assembly and position latch on door with lever facing inward. Insert mounting screws, M4.0 x 37mm screws, through the latch assembly and tighten to threaded sleeves of outside handle (Fig. 1.2).

Check to make sure that spindle moves freely by pushing button.

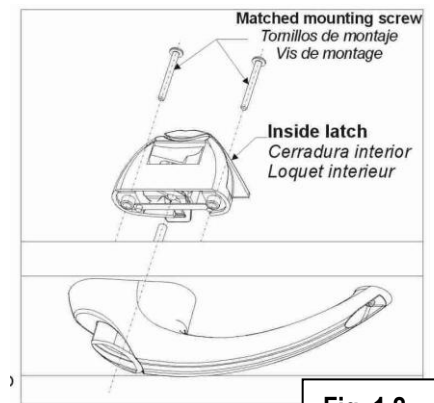
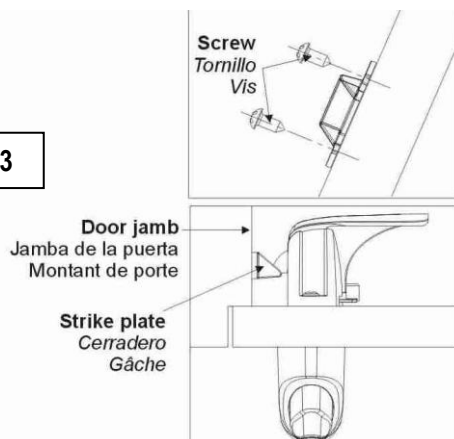


Fig. 1.2

Fig. 1.3



#### 2.4) Install Striker Plate

With door closed, place the striker plate so that it fully engages the inside latch. Mark the screw locations. Drill 1/8" pilot holes. Reposition striker plate and fasten using M3.5 x 19mm screws (Fig. 1.3).

**Note:** If latch is too far from striker plate and does not catch, use provided shims behind the striker plate to gain the necessary protrusion from door jamb.

#### 2.5) Secure bottom of Handle

Locate lower screw hole on the outside handle and drill 1/8" pilot hole making sure to only drill through outside of the door. Fasten with M3.5 x 19mm screw.

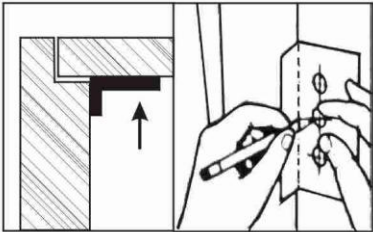
**Note:** Do not drill all the way through the door.

1. **With door in closed position, place template on inside of door.**

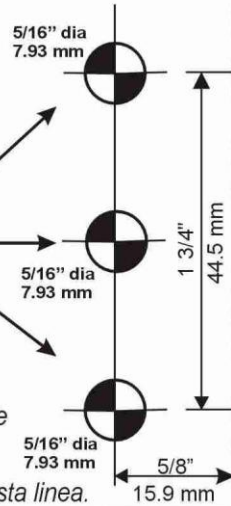
*Fermez la porte et placez le gabarit d'entrée.  
Con la puerta en posición cerrada, coloque el patrón en el interior de la puerta.*

2. **Mark centers of the three holes.**

*Marquez l'emplacement des trous.  
Marque los centros de los agujeros.*



Mark centers  
of three holes



3. **Drill the three 5/16" holes straight through the face of the door.**

*Percez les trois trous de 5/16" (7,93 mm) de diamètre à travers la porte  
Taladre los tres agujeros de 5/16" (7,93mm) a través de la puerta.*

**Cut out template along this line.** *Coupez sur cette ligne. Recorte en esta línea.*

**Fold on dotted line.**

*Pliez le long de la ligne pointillée.  
Doble por la línea punteada.*

**Place this part of template against wood jamb or metal z-bar, whichever projects farther.**  
*Coloque esta parte del patrón contra la pieza que sobresalga más el marco de madera o la barra-z de metal.*

**Fig. 2**